

REPLACEMENT

Remove the radiator upper cover.

Remove the headlamp.

NOTE

Put on gloves to protect your hands.

When prying with tip screwdriver, wrap it with protective tape to prevent damage.

Fastener Locations

⊙ : Nut



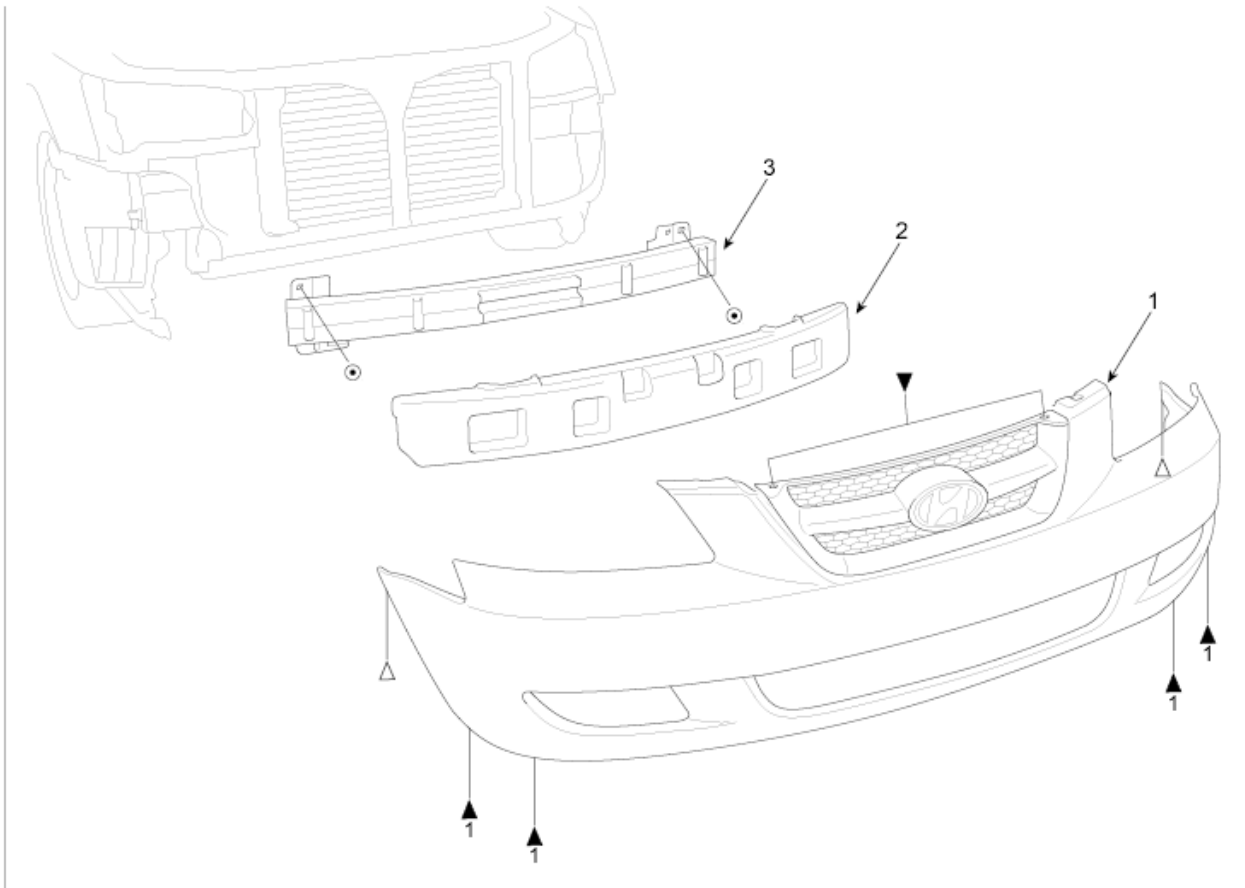
▶ : Bolt



▶1 : Clip



▷ : Screw



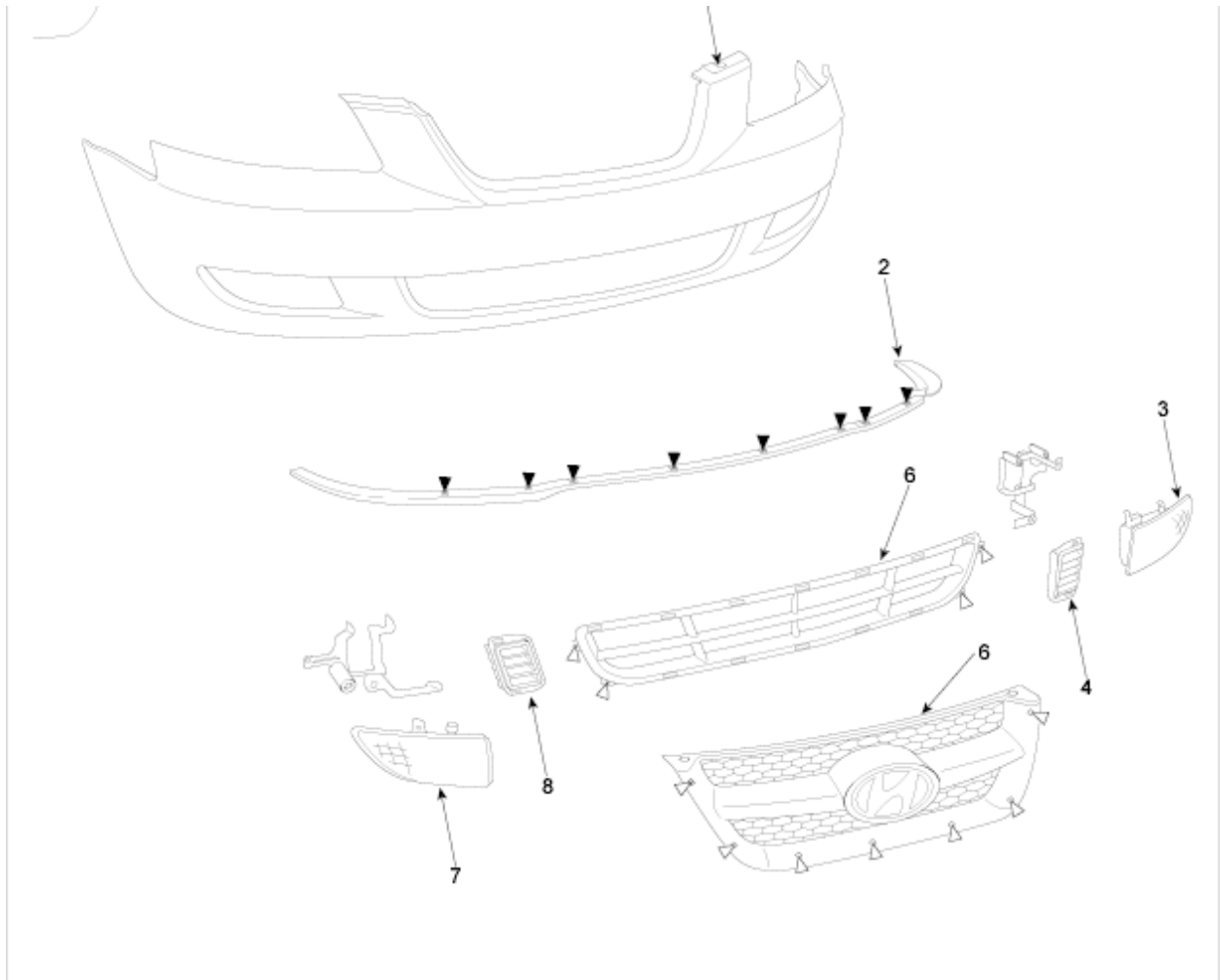
1. Front bumper cover

2. Front bumper energy absorber foam

3. Front bumper rail

► : bolt locations

▷ : Screw locations



- 1. Front bumper cover
- 2. Front bumper lip
- 3. Fog lamp

- 4. Fog grille
- 5. Radiator grille
- 6. Bumper grille

- 7. Fog lamp
- 8. Fog grille