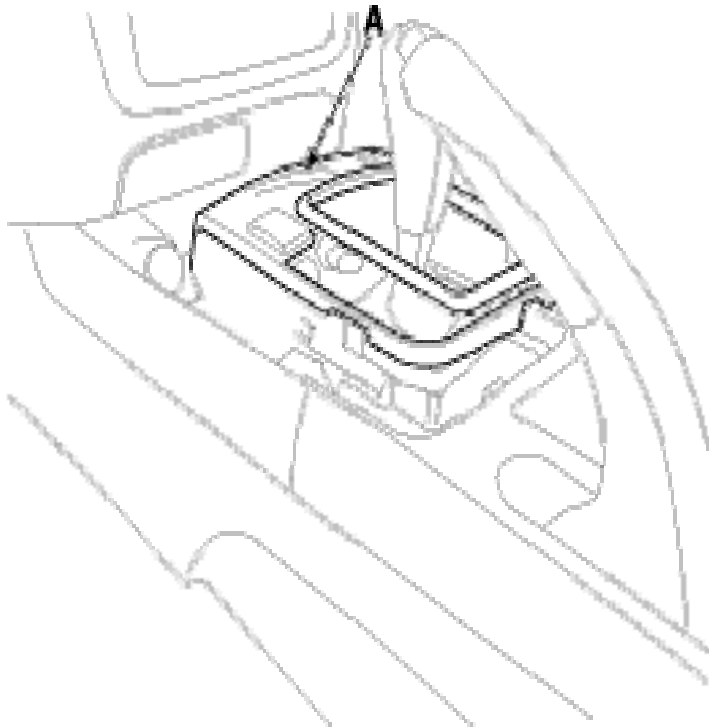


REPLACEMENT FLOOR CONSOLE REPLACEMENT

NOTE

- When prying with tip screwdriver, wrap it with protective tape, and apply protective tape around the related parts, to prevent damage.
- Put on gloves to protect your hands.

1. Remove the front seat.
2. After remove the center cover (A), disconnect the connector (B).

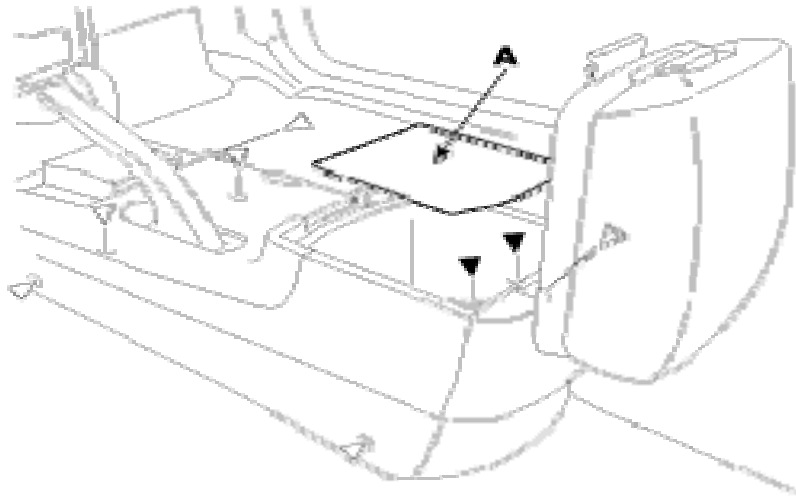


3. Remove the floor console pad (A).

Fastener Locations

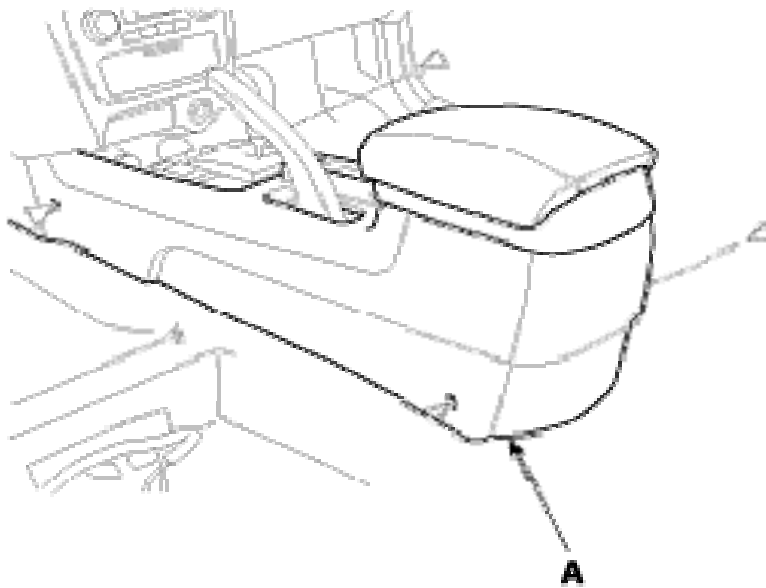
▽ : Screw, 6

▶ : Bolt, 2



4. After loosening the console mounting screw, remove the floor console assembly(A).

▽ : Screw location, 4



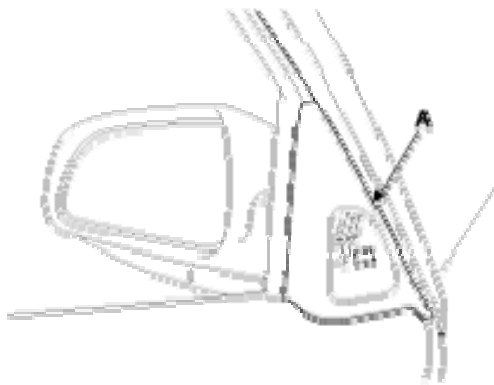
5. Installation is the reverse of removal.

FRONT DOOR TRIM REPLACEMENT

NOTE

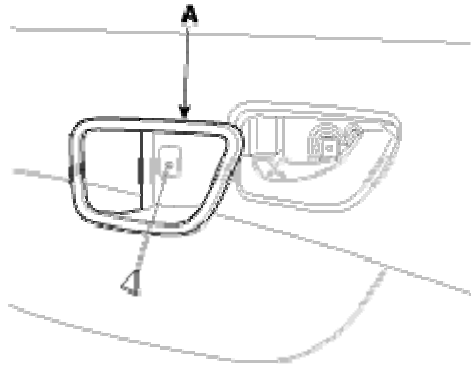
- Take care not to scratch the door trim and other parts.
- Put on gloves to protect your hands.

1. Remove the front door quadrant inner cover (A) (Refer to the Body group - front door).



2. Remove the inside handle cover (A).

▷ : Screw location, 1



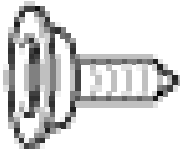
3. Loosen the door trim (E) mounting screws. Release the clips that hold the door trim, then remove the door trim by pulling it upward. Disconnect the power window switch connector(A), power mirror connector (B), and door courtesy lamp connector(C), trunk lid connector (D).

Fastener Locations

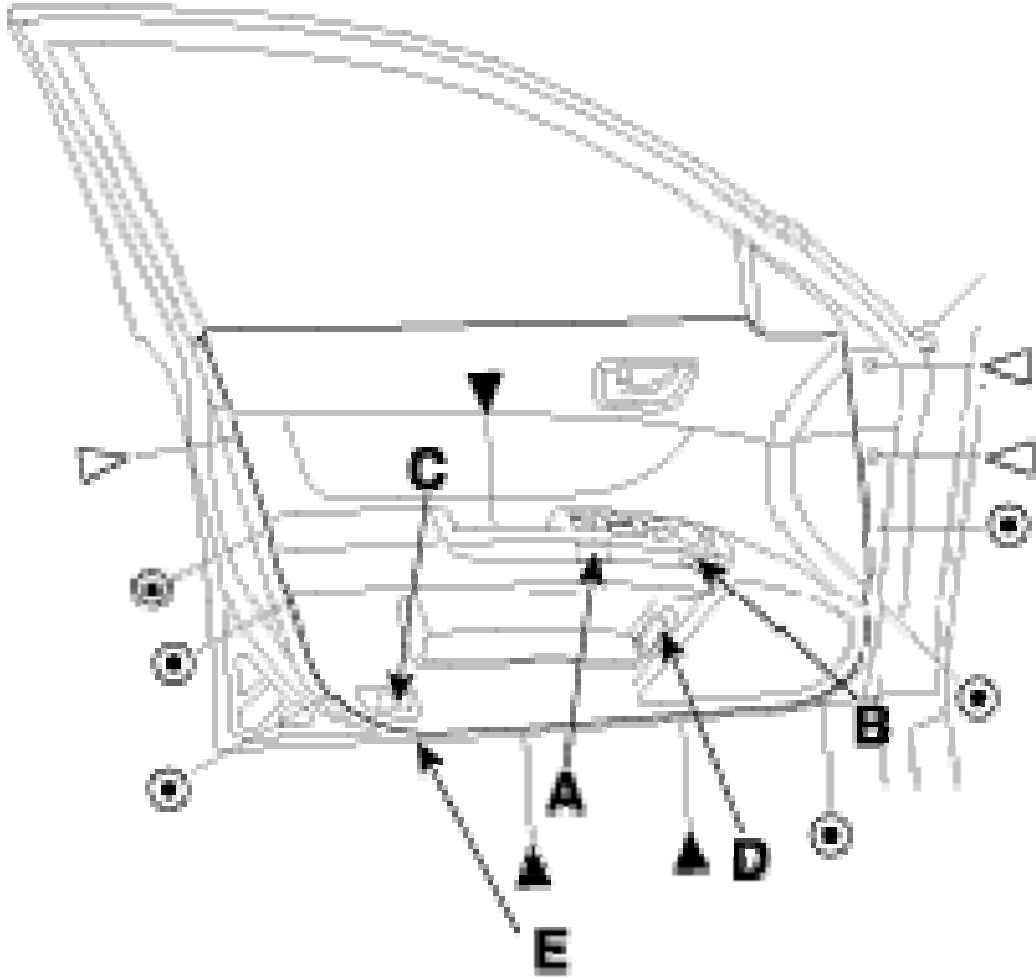
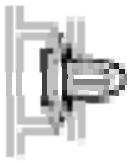
▷ : Screw, 3



▶ : Screw, 3



⊙ : Clip, 6



4. Installation is the reverse of removal.

NOTE

- Make sure of connectors is plugged in properly and each rod is connected securely.
- Make sure the door lock and opens properly.